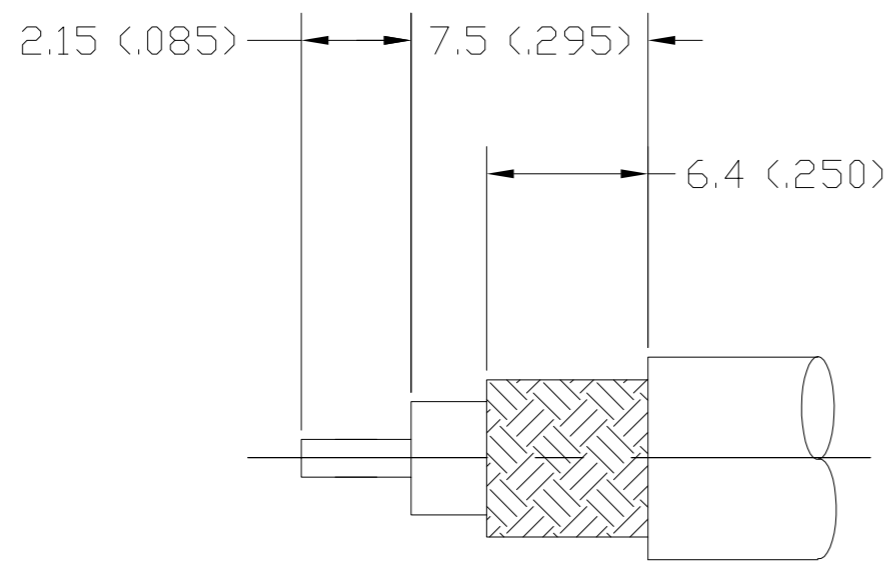
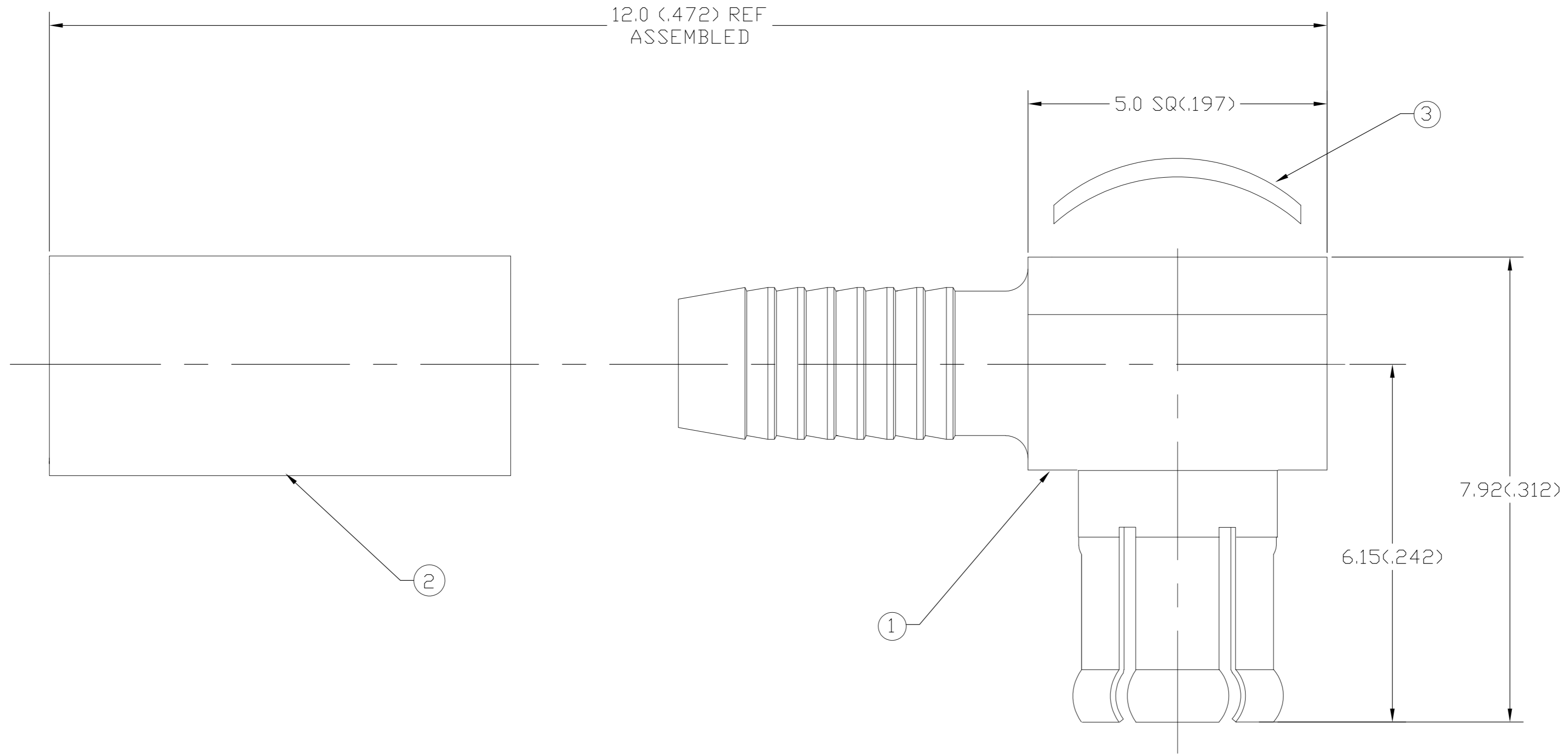


THIS DRAWING IS UNPUBLISHED. RELEASED FOR PUBLICATION  
 © COPYRIGHT BY TYCO ELECTRONICS CORPORATION. ALL RIGHTS RESERVED.

LOC	DIST	REVISIONS			
P	LTR	DESCRIPTION	DATE	DWN	APVD
AJ	00	REV PER ECO 08-010862	12MAR2008	DW	JL



CABLE TRIM DIMENSIONS

RD316	GOLD	3-1403081-6	3-413889-2	1408228-4	1363301-2
RD316	NICKEL	3-1403081-3	2-413889-7	1408228-3	1363301-1
CABLE SIZE	HOUSING PLATE	CAP ③ QTY=1	FERRULE ② QTY=1	HSG ASSY ① QTY=1	PART NUMBER

THIS DRAWING IS A CONTROLLED DOCUMENT.		DWN RMF 12MAR01	Tyco Electronics Corporation Harrisburg, PA 17105-3608		
DIMENSIONS: mm		CHK RMF 12MAR01	NAME MCX RIGHT ANGLE CABLE PLUG CRIMP/SOLDER		
TOLERANCES UNLESS OTHERWISE SPECIFIED: 0 PLC ± - 1 PLC ± - 2 PLC ± .13 3 PLC ± - 4 PLC ± - ANGLES ± 1°		APVD RMF 12MAR01	PRODUCT SPEC -	APPLICATION SPEC 408-8328	RESTRICTED TO -
MATERIAL -	FINISH -	WEIGHT -	SIZE A2	CAGE CODE 00779	DRAWING NO C=1363301
CUSTOMER DRAWING			SCALE 20:1	SHEET 1 of 1	REV E